

Wanzi Multipick Cart

Efficient order picking made easy.



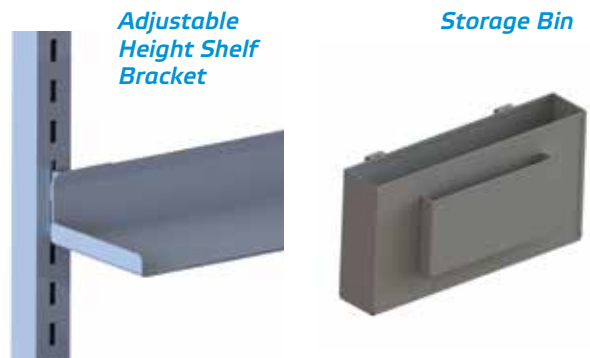
The Multipick Cart simplifies the order picking process

- > Order segregation to allow multiple orders to be picked at the same time
- > Height-Adjustable Shelf Brackets permits different tote heights to be used
- > A variety of accessory options for adapting to the application of use



Standard Features

- **Improved Efficiency:** Six (6) or Eight (8) Tote/Bin capacity, Storage Bin for miscellaneous items and Two (2) storage hooks for handing scanners or bags
- **Versatile Tote Placement:** Adjustable-height brackets allow use of totes with different heights (1" incremental height adjustments)
- **Tote Security:** Totes are held in place with raised ledges on the adjustable height brackets to prevent the totes from sliding off
- **Top Shelf Storage:** Top Wire Shelf has a raised ledge to keep products secured and preventing products from sliding off
- **Ergonomic:** Dual ergonomic handles to safely maneuver the cart
- **Corner Bumpers:** eliminates cart and store fixture damage
- **Durable:** Heavy-duty steel construction



6 Bin Wanzl Multipick Cart

Cart Specs

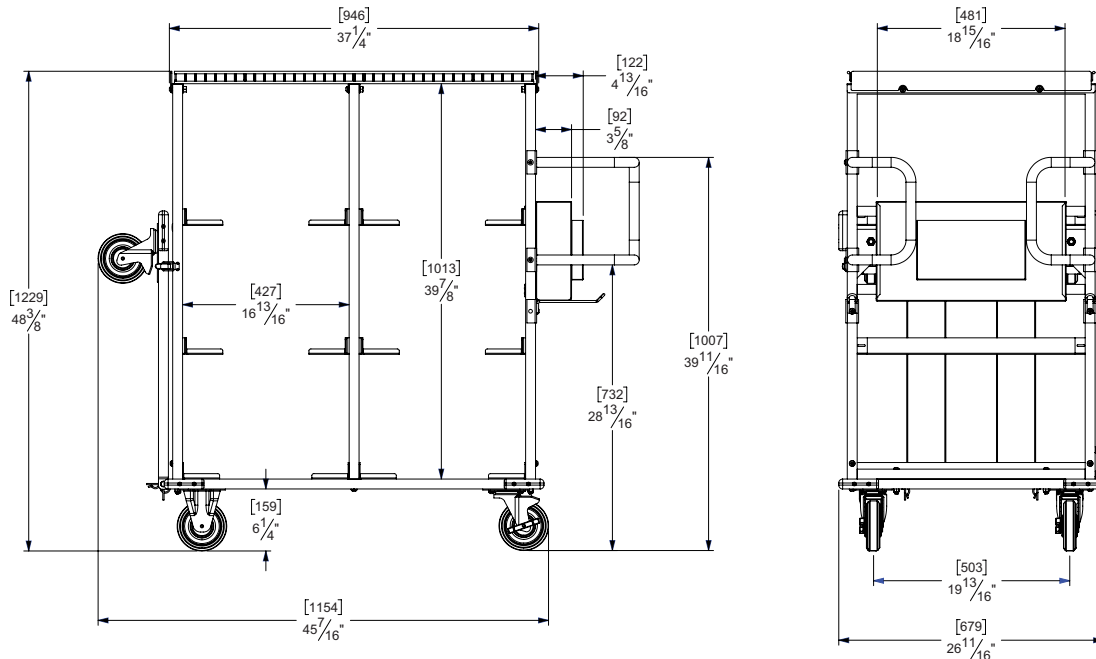
- **Tote Dimensions:** 13.2" to 16.5" wide;
Max 24.5" long
- **Casters:** (2) Swivel, (2) Rigid 5" TPU Casters
- **Capacity:** 1000 lb.
- **Cart Weight:** 110 lbs.

Freight Class:

- **Assembled:** 250
- **Unassembled:** 85



6-Bin Multipick Cart
shown with optional
drop-down dolly



Distributor	Various Tote Size Capability	Adjustable Height Brackets	Dual Ergonomic Handles	Stocked Item	Ship Fully Assembled or Broken Down
wanzl	Yes	Yes	Yes	Limited Stock	Yes
Competitor	No	No	No	No	No

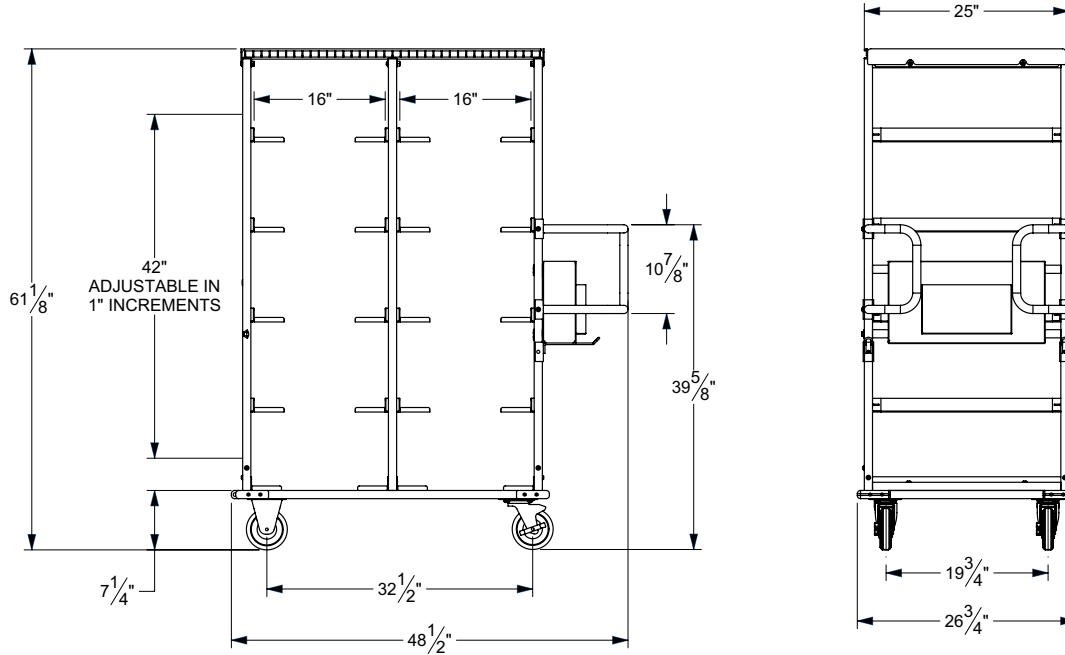
8 Bin Wanzl Multipick Cart

Cart Specs

- **Tote Dimensions:** 13.2" to 16.5" wide;
Max 24.5" long
- **Casters:** (2) Swivel, (2) Rigid 5" TPU Casters
- **Capacity:** 1000 lb.
- **Cart Weight:** 127 lbs.

Freight Class:

- **Assembled:** 250
- **Unassembled:** 85



Distributor	Various Tote Size Capability	Adjustable Height Brackets	Dual Ergonomic Handles	Stocked Item	Ship Fully Assembled or Broken Down
wanzl	Yes	Yes	Yes	Limited Stock	Yes
Competitor	No	No	No	No	No

Customization to fit your needs

Optional Features

- Fold-down dolly with two swivel casters for handling additional totes/product
- Additional adjustable height brackets
- Various tote sizes
- Upgraded Casters



Fold-Down Dolly
(T. MPC2547-DB)



Nest and Stack Tote w/ Lid
(T.FP143)



Straight-wall Tote
(T.NXO2415-11)

ORDERING DETAILS	
Product	Part Number
6-Bin Multipick Cart (w/o Fold-down Dolly)	T.MPC2547-WS
6-Bin Multipick Cart, Upgraded Casters (w/o Fold-down Dolly)	T.MPC2547-WS-UC
8-Bin Multipick Cart (w/o Fold-down Dolly)	T.MPC2560-WS
8-Bin Multipick Cart, Upgraded Casters (w/o Fold-down Dolly)	T.MPC2560-WS-UC
Extra Height Adjustable Brackets:	T.MPC2547-BRKT
Fold-down Dolly	T.MPC2547-DB
Gray Straight-wall Tote	T.NXO2415-11
Gray Nest-and-Stack Tote w/ Lid	T.FP143

Need further assistance? Please call us and we will work on the solution that fits your need!



Wanzl worldwide

- Head Office
- Subsidiaries
- Partners

WANZL NORTH AMERICA
700 Technibilt Drive
PO Box 310
Newton, NC 28658

Phone +1 800-351-2278
Fax +1 800-968-8934

info@wanzl.com
www.wanzl.com/NA

GERMANY
Wanzl GmbH & Co. KGaA
Rudolf-Wanzl-Straße 4
89340 Leipheim

Phone +49 (0) 82 21 / 7 29-0
Fax +49 (0) 82 21 / 7 29-1000

info@wanzl.com
www.wanzl.com