

# Wanzl Multipick Cart

Efficient order picking made easy.



## Standard Features

- Heavy duty steel construction
- Capability of using Totes ranging 13.2"-16.5" wide, up to 24.5" long, and up to 38" high
- Storage bin to keep paperwork or miscellaneous items secured
- Four 5" swivel casters allows your employees the maximum maneuverability in tight aisles
- Corner bumpers
- Two steel hooks for storing bags or hanging scanners
- Dual ergonomic handle provides employees ease of handling
- Top storage shelf for additional workspace
- 6 or 8 tote capacity with 4 sets of adjustable height brackets
- 1000 lb capacity



## Optional Features

- Folding dolly with two swivel casters for handling additional totes
- Additional adjustable height brackets
- Various tote sizes



### Dual Ergonomic Handles

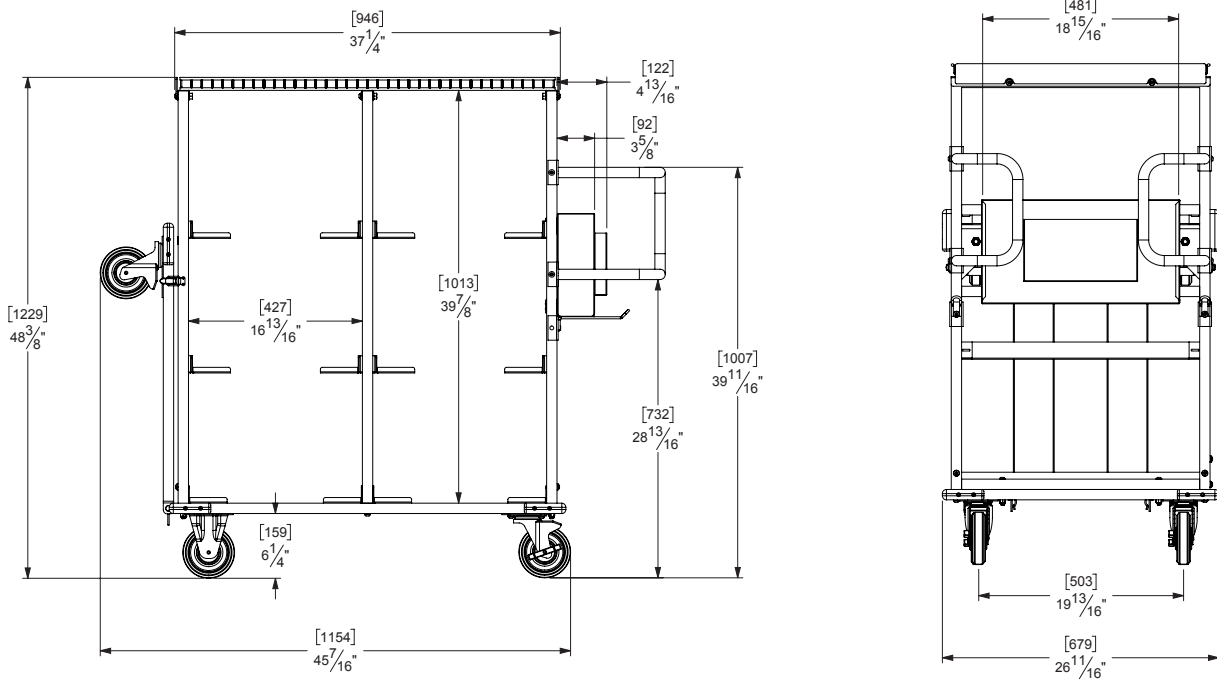
Provides ease of handling, with multiple location options.



### Drop Down Storage Dolly

Optional fold-up dolly to store totes/boxes to increase efficiency of workers.

# Wanzl Multipick Cart



**■ Improve efficiency with our Multipick Cart.**

Our cart will increase productivity for E-commerce and everyday order picking. By incorporating totes, employees will keep organized which reduces “down” time, freeing up more time to pick orders. Our Multipick cart also features adjustable height brackets, utilizing different tote heights.

- Cart Part #:** MPC2547-WS
- Extra Brackets Part #:** MPC2547-BRKT
- Dolly Base Part #:** MPC2547-DB

**Freight Class:**  
**Assembled:** 250  
**Unassembled:** 85



Distributor	Various Tote Size Capability	Adjustable Height Brackets	Dual Ergonomic Handles	Stocked Item	Ship Fully Assembled or Broken Down
<b>wanzl</b>	Yes	Yes	Yes	Yes	Yes
Competitor	No	No	No	No	No