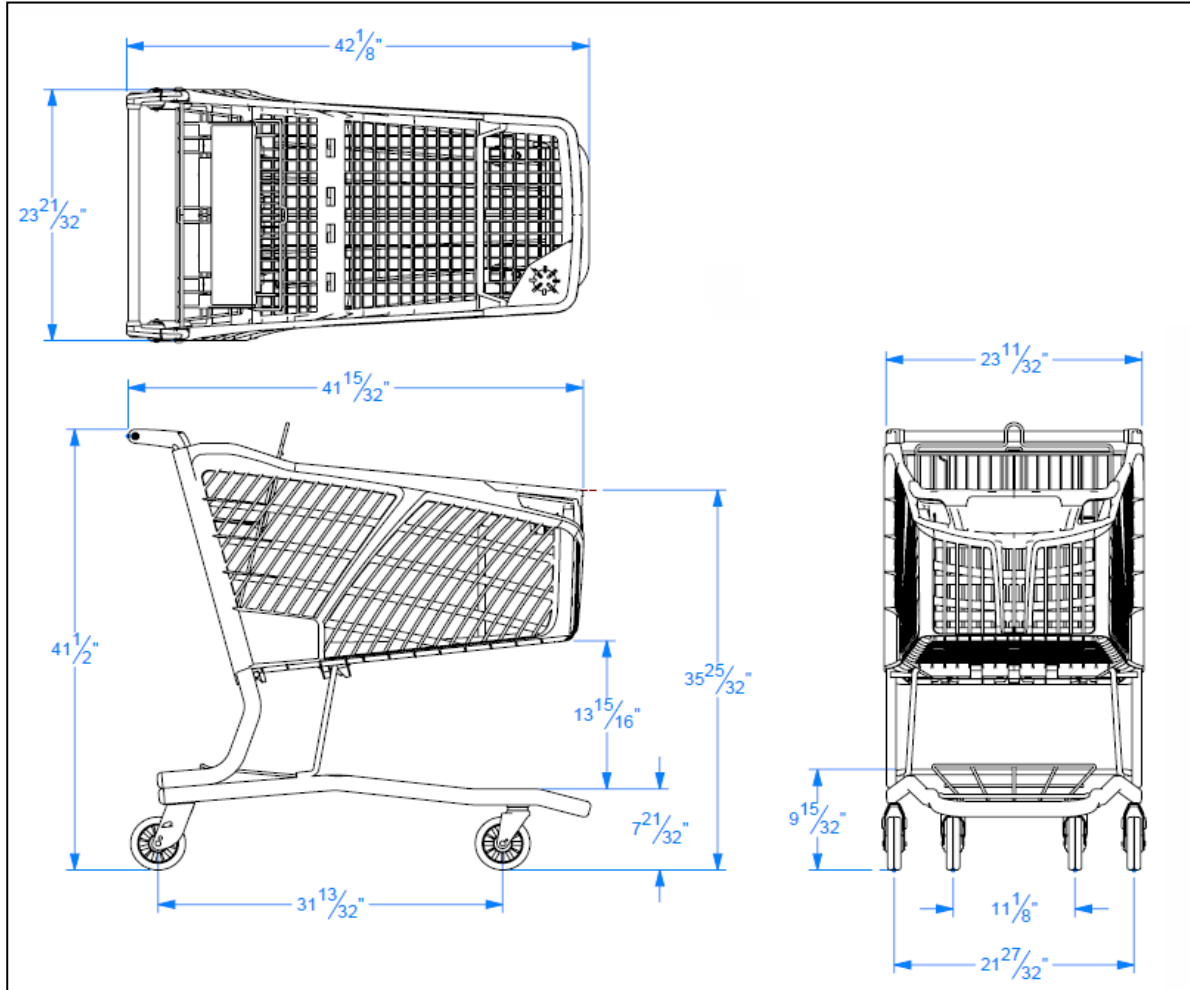


Renaissance Cart

wanzi

TECHNIBILT HC20 Cart



CAPACITY

Total Payload: 18,120 in³ (297 liters)
Basket: 11,120 in³ (182 liters)
Lower Tray Capacity: 7,000 in³ (115 liters)
Nesting: 10 1/2 " (26.7 cm)
Weight: 53.5 lbs (24.3 kg)

STANDARD FEATURES

Heavy-gauge Oval tube frame
Steel components include Tech-Seal finish (3 yr.)
ASTM Compliant Seat Belts
Custom colors available for volume commitments
5" Wheels Standard
One Piece Plastic Basket

OPTIONS

Rear Caster Lifter
Factory Installed Containment Wheels
Anti-Static Wheels
Friction Wheels
Cup holders
Basket Divider

Carts per 53' Trailers = 550