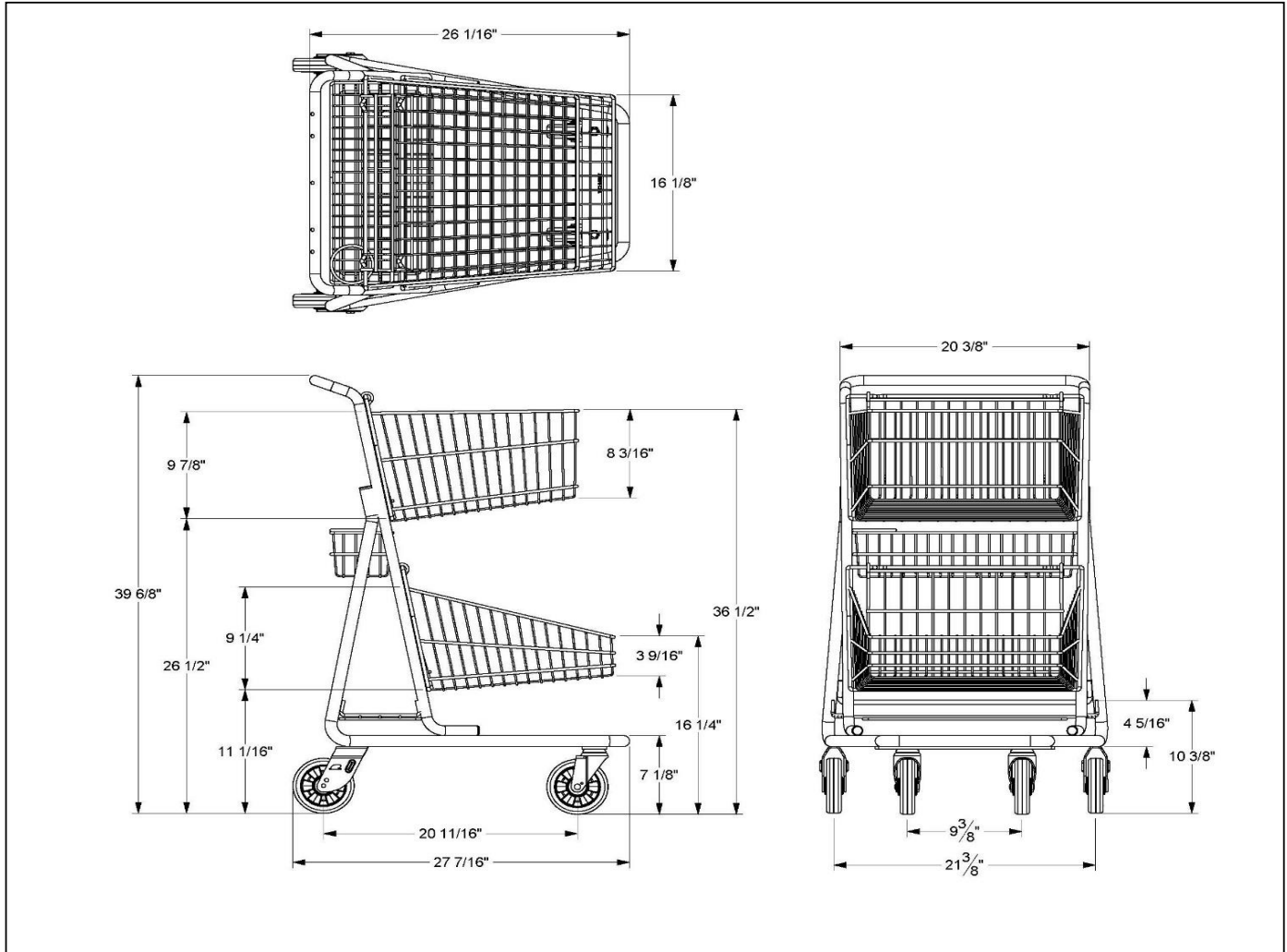


MODEL #5341



TECHNIBILT cart



CAPACITY

- Total Payload: 5,465 in³ (90 liters)
- Top Basket Capacity: 2,620 in³ (43 liters)
- Bottom Basket Capacity: 2,000 in³ (33 liters)
- Rear Shelf Capacity: 845 in³ (14 liters)
- Nesting: 7 3/4" (19.7 cm)
- Weight: 35 lbs (15.9 kg)

OPTIONS

- Assortment of Tech Seal Colors
- Anti-Static Wheels
- Anti-Static Cable
- Factory Installed Cart Containment Wheels
- Friction Wheels

STANDARD FEATURES

- Tech Seal Coating Process
- Corner Bumpers/Both Top and Bottom
- Rear Lower Shelf
- Handle With Logo
- 5" Wheels Standard

Carts per 53' Trailers = 760