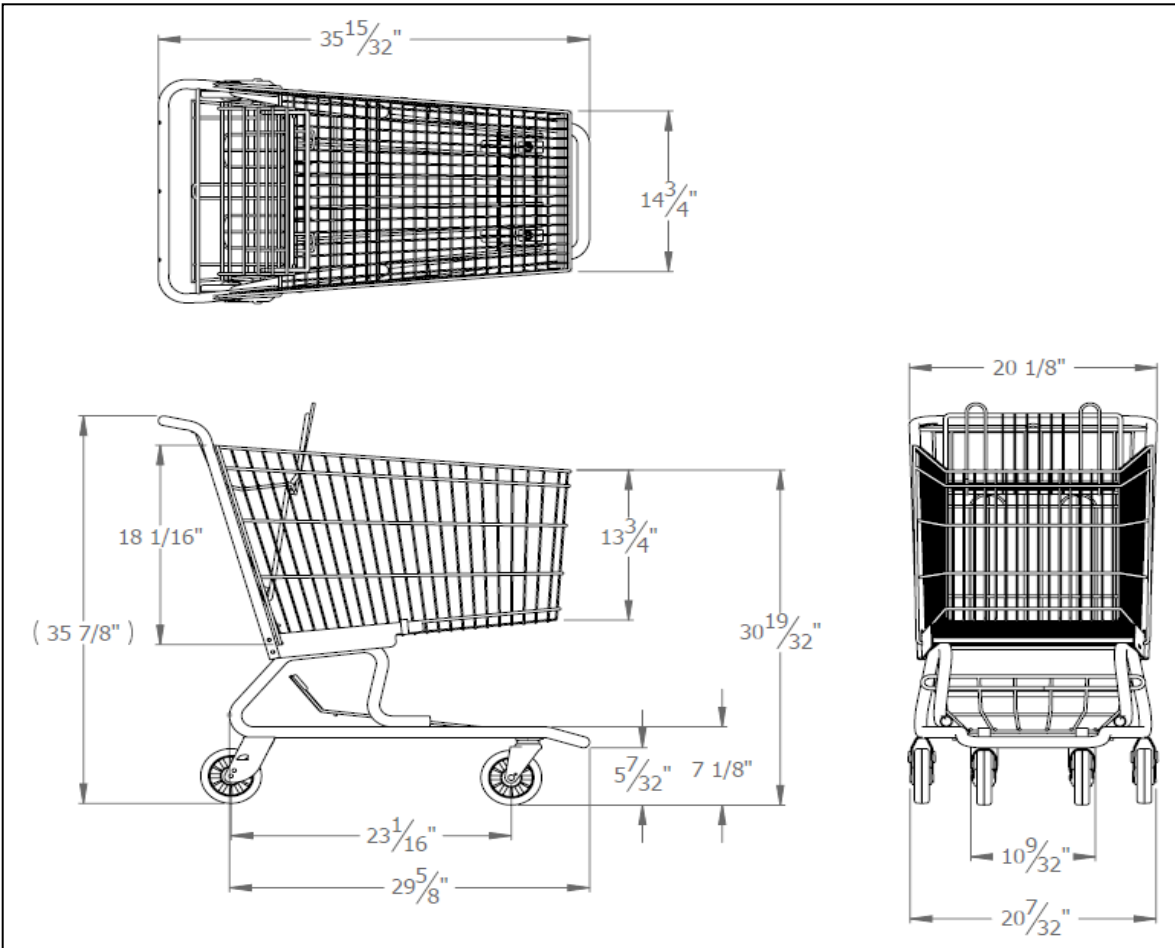


MODEL #1435

Wanzi

TECHNIBILT cart



CAPACITY

Total Payload: 11,030in³ (181 liter)
Basket Capacity: 7,150 in³ (117 liter)
Nesting: 11" (28 cm)
Weight: 41.5 lbs (18.8 kg)

STANDARD FEATURES

Tech Seal Coating Process
Child Seating Area
Top Corner Bumpers
Handle with Logo
Leg Hole Closure with ASTM Approved Safety Message
ASTM Approved Seat Belt
Lower Grill
Assortment of Plastic Accessory Colors
5" Wheels Standard

OPTIONS

Assortment of Tech Seal colors
Full Length Bumpers
Logo On Leg Hole Closure
5 Panel Nylon Seat Belt
Seat Belt With Logo
Cart Locks
Anti-Static Wheels
Anti-Static Cable
Infant Seat Carrier
Factory Installed Cart Containment Wheels
Escalator/Walkalator Wheels
Friction Wheels

Carts per 53' Trailers = 530