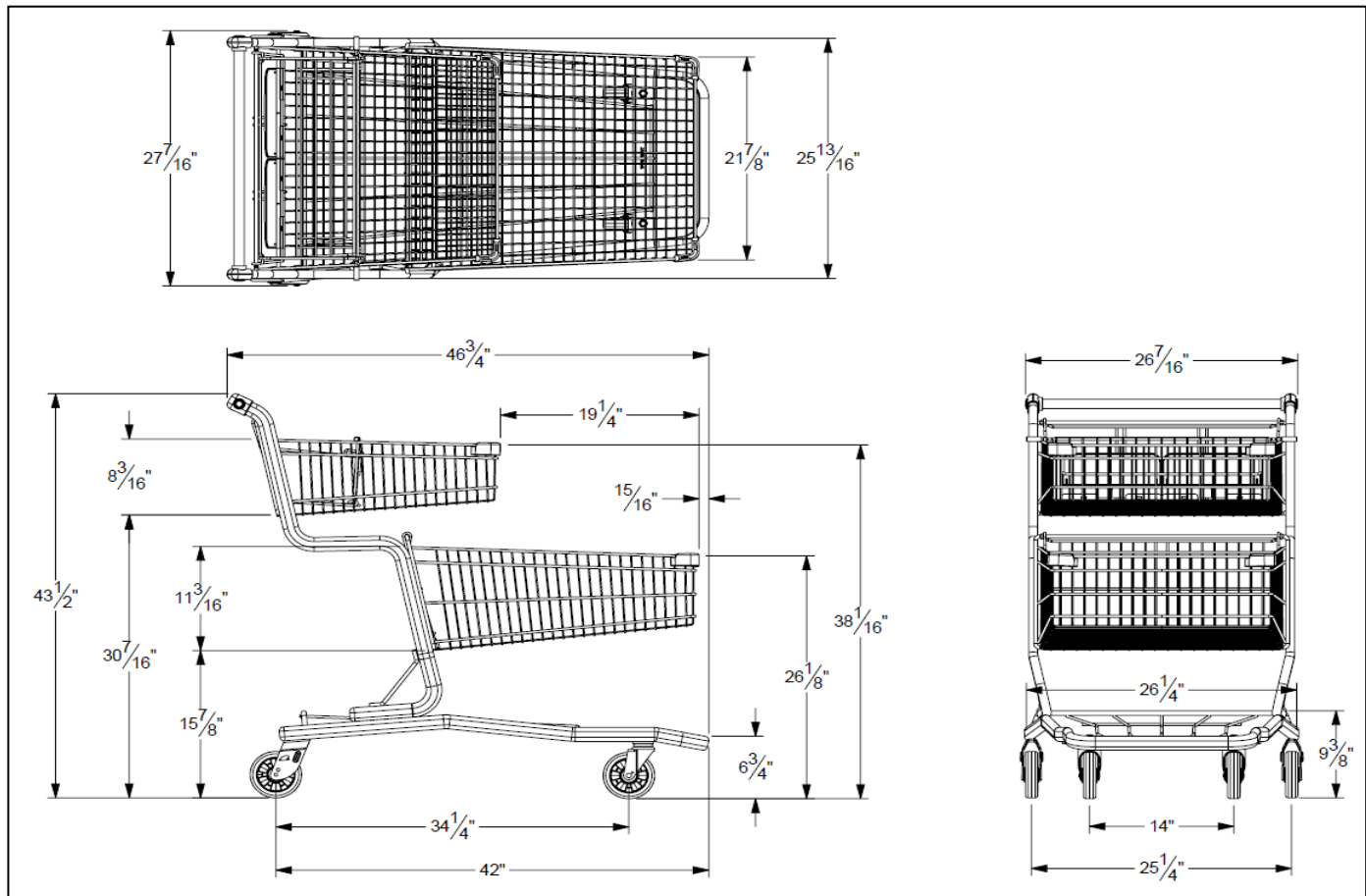


# MODEL #225T

**wanzi**

**TECHNIBILT** cart



## CAPACITY

Total Payload: 15,590 in<sup>3</sup> (255 liters)  
Top Basket Capacity: 3,715 in<sup>3</sup> (61 liters)  
Bottom Basket Capacity: 4,575 in<sup>3</sup> (75 liters)  
Lower Rack Capacity: 7,300 in<sup>3</sup> (120 liters)  
Nesting: 12 1/2" (31.8 cm)  
Weight: 68 lbs (31 kg)

## STANDARD FEATURES

Tech Seal Coating Process  
Two Child Seat Areas  
Top Corner Bumpers for Both Baskets  
Handle with Logo  
Leg Hole Closure with ASTM Approved Safety Message  
ASTM Approved Seat Belt  
Lower Grill  
Assortment of Plastic Accessory Colors  
5" Wheels Standard

## OPTIONS

Assortment of Tech Seal colors  
Cart Locks  
Anti-Static Wheels  
Anti-Static Cable  
Infant Seat Carrier  
Factory Installed Cart Containment Wheels  
Escalator/Walkalator Wheels  
Friction Wheels

270 Carts 2 Layer Stacked on a 53' Trailer

PO Box 310 Newton, NC 28658 - 1-800-351-2278